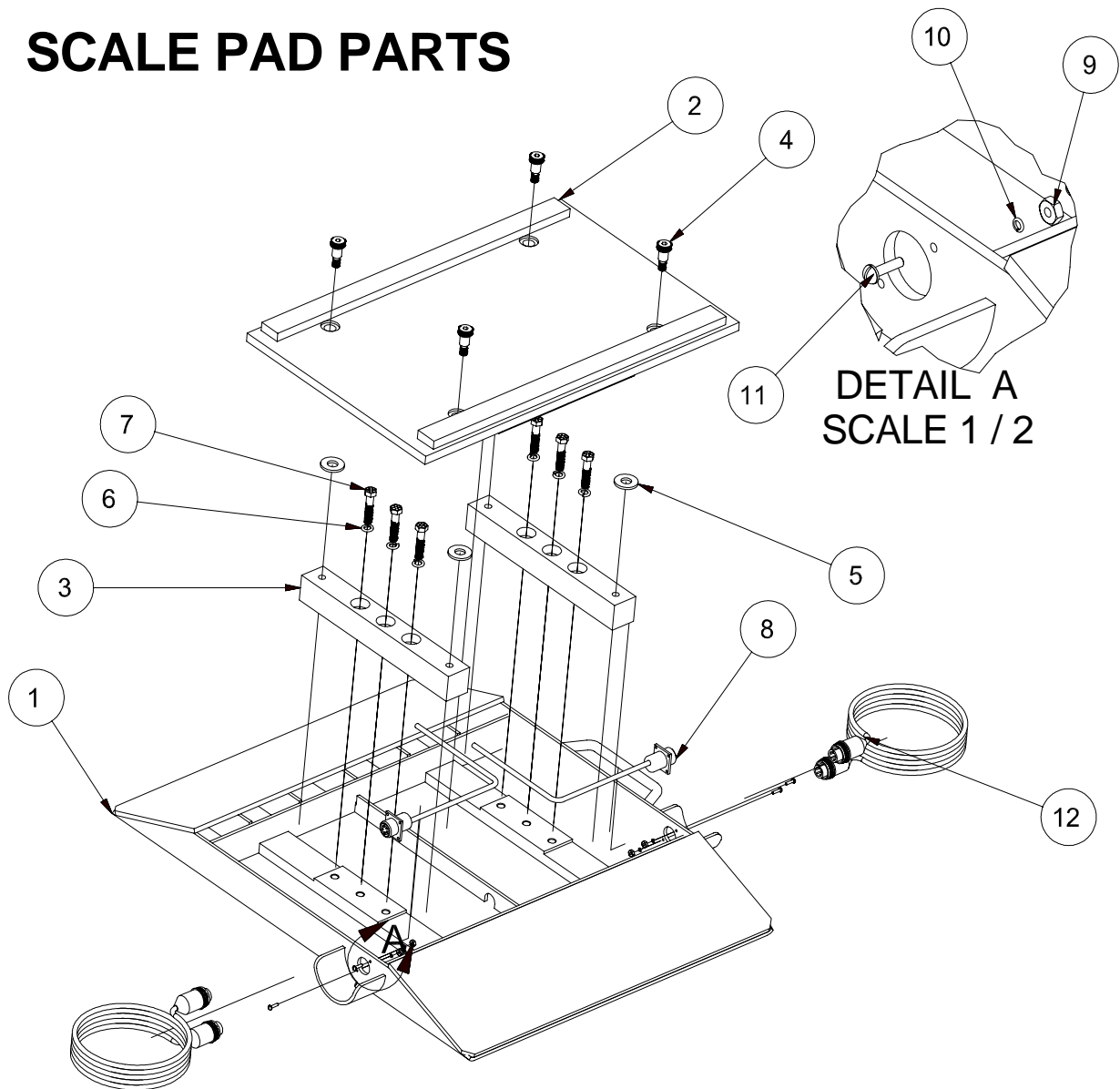


SCALE PAD PARTS



Parts List			
ITEM	QTY	PART NUMB	DESCRIPTION
1	1	S-W0815	BASE ASSEMBLY
2	1	S-W0825	TOP PLATE ASSEMBLY
3	2	S-W0200	WEIGH BAR 7500 LB
4	4	S-W0510	SHOULDER BOLT 1/2 X 5/8 LG X 3/8-16
5	4	S-W0520	BRONZE FLAT WASHER
6	6	S-W0502	3/8 LOCK WASHER
7	6	S-W0500	3/8-16 X 1 3/4 HHCS BOLT
8	2	S-W0430	JUMPER CABLE FOR SCALE PAD
9	4	S-W0551	#5-40 UNC HEX NUT
10	4	S-W0552	#5 LOCK WASHER
11	4	S-W0548	#5-40 X 1/2 PAN HEAD SLOTTED
12	2	S-W0410	30 FT CABLE FOR CONNECTING PAD TO INDICATOR